



Glass adapters



TOP components



A/0747-242



A/0746-000



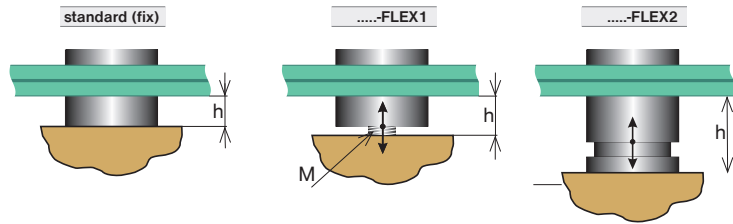
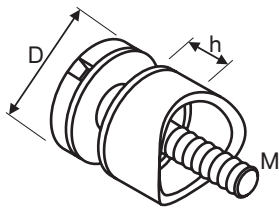
A/0763-000



A/0745-000



A/2746-000



MODEL 46	art.											D	h	M	Glass t	Glass hole
		-	33,7	42,4	48,3	AISI304	AISI316	ZAMAK	SATIN	POLISH	RAW					
	A/0746-033		✓			✓			✓			30	13			
	A/0746-042			✓		✓			✓			30	15	M8	6-16	15
	A14/0746-042			✓			✓		✓			30	15			
	A/0746-000	✓				✓			✓			30	15			
	A/0746-000-B	✓				✓			✓			30	17			
	A/0746-000-L	✓				✓				✓		30	15	M8	6-16	15
	A14/0746-000	✓					✓		✓			30	15			
	ZN/0746-000	✓						✓			✓	30	15			
	A/0746-FLEX1	✓				✓			✓			30	12 - ...	M10	8-18	20
	A/0746-300	✓				✓			✓			30	30			
	A/0746-400	✓				✓			✓			30	40	M8	6-16	15
	A/0746-500	✓				✓			✓			30	50			
MODEL 42	art.											D	h	M	Glass t	Glass hole
		-	33,7	42,4	48,3	AISI304	AISI316	ZAMAK	SATIN	POLISH	RAW					
	A/0742-042			✓		✓			✓			40	10	M10	8-18	20
	A/0742-000	✓				✓			✓			40	10	M10	8-18	20
	A/0742-FLEX1	✓				✓			✓			40	12 - ...			
MODEL 47	art.											D	h	M	Glass t	Glass hole
		-	33,7	42,4	48,3	AISI304	AISI316	ZAMAK	SATIN	POLISH	RAW					
	A/0747-242			✓		✓			✓			50	10	M10	8-18	20
	A14/0747-242			✓			✓		✓			50	10	M10		
	A/0747-000-S	✓				✓			✓			50	10	M8		
	A/0747-000	✓				✓			✓			50	10			
	A/0747-FLEX1	✓				✓			✓			50	12 - ...			
	A/0747-000-L	✓				✓				✓		50	10	M10	8-18	20
	A14/0747-000	✓					✓		✓			50	10			
	ZN/0747-000	✓						✓			✓	50	10			
	A/0747-300	✓				✓			✓			50	30			
	A/0747-301	✓				✓			✓			50	30 - 35			
	A/0747-FLEX2	✓				✓			✓			50	35 - 55	M10	8-18	20
	A/0747-400	✓				✓			✓			50	40			
	A/0747-500	✓				✓			✓			50	50			
	A/0747-501	✓				✓			✓		50	40 - 48	M10	8-18	25	



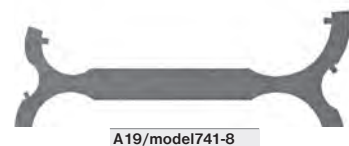
MODEL 49		art.											D	h	M	Glass t	Glass hole
	A/0749-042				✓		✓			✓			60	10	M10	8-18	20
	A/0749-000	✓					✓			✓			60	10	M10	8-18	20

MODEL 48		art.											D	h	M	Glass t	Glass hole
	A/0748-242				✓		✓			✓			70	10	M10	8-18	20
	A/0748-000	✓					✓			✓			70	10	M10	8-18	20

MODEL 43		art.											D	h	M	Glass t	Glass hole
	A/0763-000	✓					✓			✓			30	10	M10	8-18	20
	A14/0763-000	✓						✓		✓							
	A/0764-000	✓					✓			✓			40				
	A14/0764-000	✓						✓		✓							

MODEL 45		art.											D	h	M	Glass t	Glass hole
	A/0745-000	✓					✓			✓			40	30	M8	6-16	15

MODEL 45 monolit		art.											D	h	M	Glass t	Glass hole
	A/0745-300	✓					✓			✓			40	30	M8	8-18	15
	A/0745-500	✓					✓			✓				50			
	A/0745-D30	✓	✓	✓	✓		✓			✓			40	10	-	-	-





TOP components



A/6100-000



A/6100-000-B



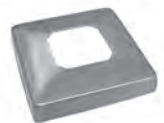
A/6200-000-B



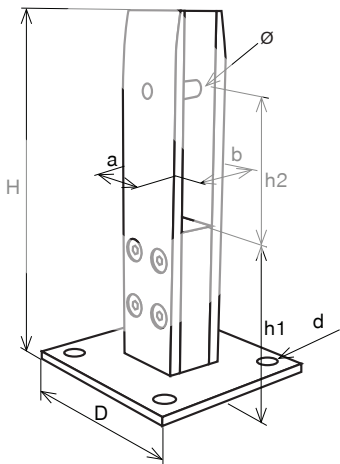
A/6200-000-C



A/0512-050



A/4511-050



art.	AISI304	AISI316	SATIN	POLISH	H	h1	h2	D	a	b	Ø	d	Glass t
A/6100-000	✓		✓		162	55	65	100	49	49	8,5	3x11	12-17,52
A/6100-000-B	✓		✓		182	74-82	-	98	48	48	-	4x11	12-17,52
A/6200-000-B	✓		✓		147	81	66	100x100	39	33	8,5	4x11	12-17,52
A/6200-000-C	✓		✓		182	74-82	-	98x98	50	50	-	4x11	12-17,52
A14/6200-000-C		✓	✓		182	74-82	-	98x98	50	50	-	4x11	12-17,52

